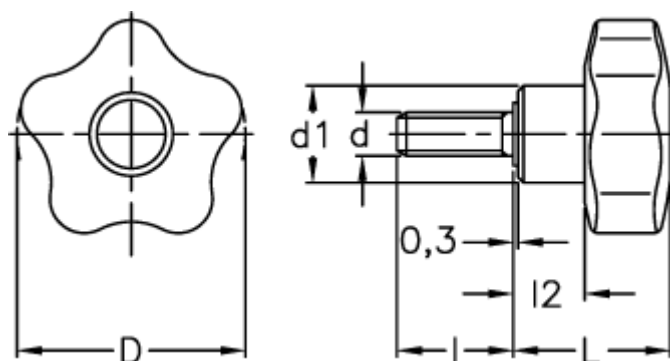


Article number: 23020699739

Description: E+G Lobe knob
VCT.50 p-M10x30-C9, black cap

Measures



| | |
|------|--------|
| D | = 50 |
| d1 | = 19 |
| d 6g | = M10 |
| l | = 30 |
| L | = 32.0 |
| l2 | = 14 |